



HGA Hurricane Gusset Angles

Versatile wood-to-wood connector that satisfies high wind and seismic loading requirements.

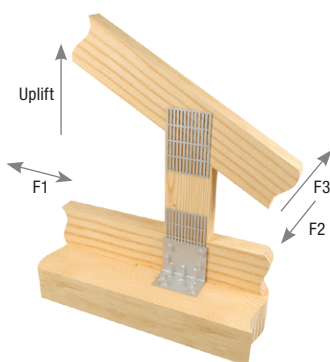
Materials: 14 gauge

Finish: G90 galvanizing

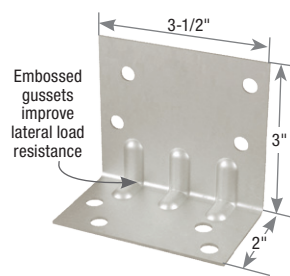
Codes: Load values are derived from data submitted to various North American building code evaluators.

Installation:

- Use all specified fasteners.
- Install with WS3 Wood Screws into top plate, and WS15 Wood Screws into the truss.
- WS Wood Screws are included with HGA10 angles.
- **Moisture barrier may be required.**



Typical HGA10 installation



HGA10

MiTek Stock No.	Steel Gauge	Fastener Schedule ²				Unit	DF Factored Resistance ¹				S-P-F Factored Resistance ¹			
		Rafter/Truss		Plate			Uplift 115%	F1 115%	F2 115%	F3 115%	Uplift 115%	F1 115%	F2 115%	F3 115%
		Qty	Wood Screw	Qty	Wood Screw									
HGA10KT	14	4	WS15	4	WS3	Lbs	1330	1365	1620	865	1145	1175	1395	745
						kN	5.92	6.07	7.21	3.85	5.09	5.23	6.21	3.31

1) Factored resistances have been increased 15% for short-term loads such as wind and earthquake; no further increase is allowed.

2) WS15 Wood Screws are 1/4" x 1-1/2" long and WS3 Wood Screws are 1/4" x 3" long.

PEO
Certificate No. 10889485



Dec. 20, 2017

Use in conjunction with MiTek's current Canadian Product Catalogue for detailed hanger information.

Valid through Dec. 31, 2019



MiTek supplies quality products
to build Stronger Safer Structures

MiTek.ca

Copyright © 2017 MiTek Industries, Inc. All Rights Reserved.
December 2017 USP2373



HGA Hurricane Gusset Angles

Versatile wood-to-wood connector that satisfies high wind and seismic loading requirements.

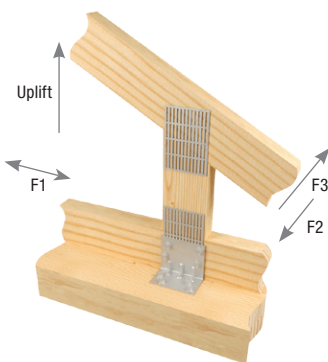
Materials: 14 gauge

Finish: G90 galvanizing

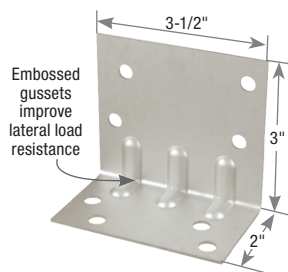
Codes: Load values are derived from data submitted to various North American building code evaluators.

Installation:

- Use all specified fasteners.
- Install with WS3 Wood Screws into top plate, and WS15 Wood Screws into the truss.
- WS Wood Screws are included with HGA10 angles.
- **Moisture barrier may be required.**



Typical HGA10 installation



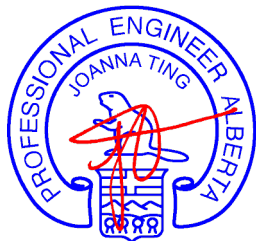
HGA10

MiTek Stock No.	Steel Gauge	Fastener Schedule ²				Unit	DF Factored Resistance ¹				S-P-F Factored Resistance ¹			
		Rafter/Truss		Plate			Uplift 115%	F1 115%	F2 115%	F3 115%	Uplift 115%	F1 115%	F2 115%	F3 115%
		Qty	Wood Screw	Qty	Wood Screw									
HGA10KT	14	4	WS15	4	WS3	Lbs	1330	1365	1620	865	1145	1175	1395	745
						kN	5.92	6.07	7.21	3.85	5.09	5.23	6.21	3.31

1) Factored resistances have been increased 15% for short-term loads such as wind and earthquake; no further increase is allowed.

2) WS15 Wood Screws are 1/4" x 1-1/2" long and WS3 Wood Screws are 1/4" x 3" long.

APEGA
Permit No. P3837



Dec. 20, 2017



Dec. 20, 2017

APEGM
Certificate No. 96



Dec. 20, 2017

APEGS
Certificate No. C0940



Use in conjunction with MiTek's current Canadian Product Catalogue for detailed hanger information.

Valid through Dec. 31, 2019

MiTek

MiTek supplies quality products
to build Stronger Safer Structures

MiTek.ca

Copyright © 2017 MiTek Industries, Inc. All Rights Reserved.
December 2017 USP2373

APENS
Permit No. 15800 0

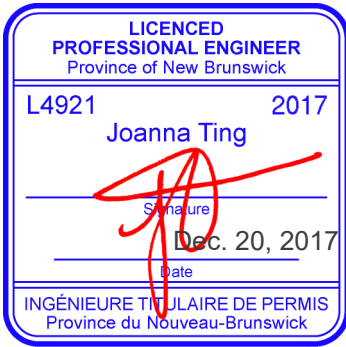


Dec. 20, 2017

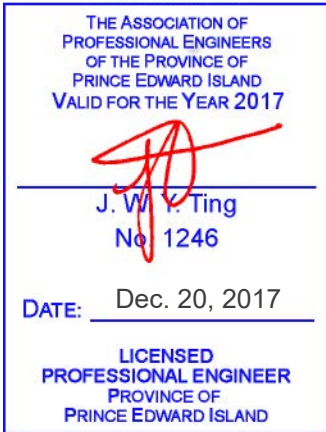
PEG
Permit No. D0027



APEGNB
Certificate No. F0649



APEPEI
Permit No. A195



HGA Hurricane Gusset Angles

Versatile wood-to-wood connector that satisfies high wind and seismic loading requirements.

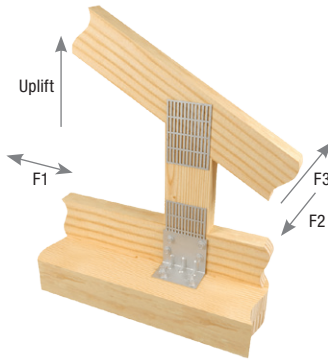
Materials: 14 gauge

Finish: G90 galvanizing

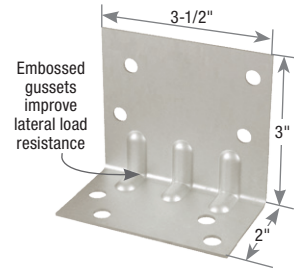
Codes: Load values are derived from data submitted to various North American building code evaluators.

Installation:

- Use all specified fasteners.
- Install with WS3 Wood Screws into top plate, and WS15 Wood Screws into the truss.
- WS Wood Screws are included with HGA10 angles.
- **Moisture barrier may be required.**



Typical HGA10 installation



HGA10

MiTek Stock No.	Steel Gauge	Fastener Schedule ²				Unit	DF Factored Resistance ¹				S-P-F Factored Resistance ¹			
		Rafter/Truss		Plate			Uplift 115%	F1 115%	F2 115%	F3 115%	Uplift 115%	F1 115%	F2 115%	F3 115%
		Qty	Wood Screw	Qty	Wood Screw									
HGA10KT	14	4	WS15	4	WS3	Lbs	1330	1365	1620	865	1145	1175	1395	745
						kN	5.92	6.07	7.21	3.85	5.09	5.23	6.21	3.31

1) Factored resistances have been increased 15% for short-term loads such as wind and earthquake; no further increase is allowed.

2) WS15 Wood Screws are 1/4" x 1-1/2" long and WS3 Wood Screws are 1/4" x 3" long.

Use in conjunction with MiTek's current Canadian Product Catalogue for detailed hanger information.

Valid through Dec. 31, 2019



MiTek supplies quality products
to build Stronger Safer Structures

MiTek.ca

Copyright © 2017 MiTek Industries, Inc. All Rights Reserved.
December 2017 USP2373